



**For Security**  
**Vari-Focal**

**MP**<sup>MEGA PIXELS</sup>

**YV2.8×2.8SA-2**

Applicable camera (model)

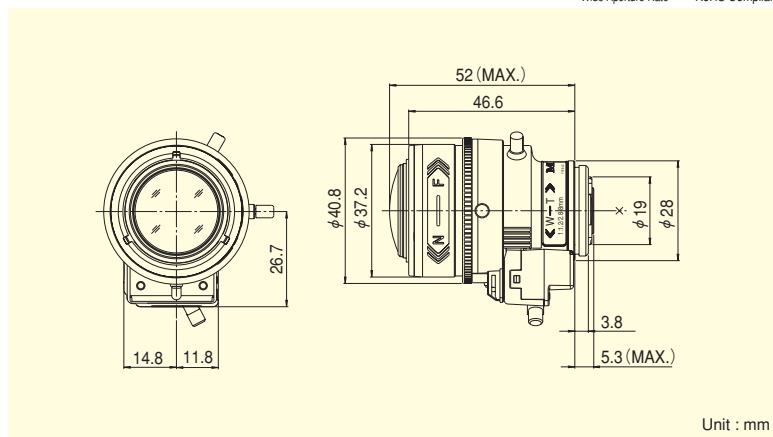
1	2/3	1/2	1/3	1/4
---	-----	-----	-----	-----

**2.8x**



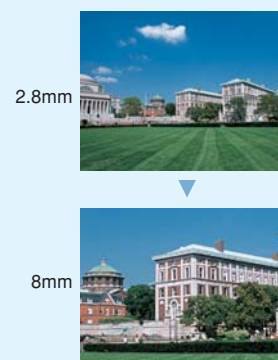
<b>VARI</b> Vari-Focal	<b>WIDE</b> Wide Angle	<b>3 Mega</b> For Megapixel Camera	<b>MANUAL</b> Manual Iris	<b>CS-mt</b> CS Mount	<b>METAL</b> Metal Mount	<b>AT</b> Aspherical Lens
				<b>F1.2</b> Wide Aperture Rate	<b>RoHS</b> RoHS Compliant	

- High image-quality monitoring with optical performance supporting 3 megapixels.
- WIDE 2.8mm, achieving a horizontal field angle of 100 degrees (when used on 1/3 cameras).
- Compact and lightweight design, best suited for use with dome cameras.
- Designed to maximize optical performance with high-accuracy aspheric lens, low-dispersion glass, and high refractive-index glass.



Focal Length (mm)		2.8~8 (2.8x)	
Iris Range		F1.2 ~ Close	
Operation	Zoom	Manual	
	Focus	Manual	
	Iris	Manual	
Angle Of View (H×V)	1/3"	WIDE	100°00' × 73°45'
		TELE	35°03' × 26°18'
	1/4"	WIDE	73°45' × 54°49'
		TELE	26°18' × 19°44'
Angle Of View (H×V) Aspect Ratio 16:9	1/3"	WIDE	109°50' × 59°51'
		TELE	38°11' × 21°29'
	1/4"	WIDE	80°39' × 44°38'
		TELE	28°39' × 16°07'
Focusing Range (From Front Of The Lens) (m)		∞ ~ 0.3	
Object Dimensions at M.O.D. (H×V) (mm)	1/3"	WIDE	744 × 468
		TELE	197 × 146
	1/4"	WIDE	468 × 323
		TELE	146 × 108
Object Dimensions at M.O.D. (H×V) (mm) Aspect Ratio 16:9	1/3"	WIDE	890 × 359
		TELE	216 × 118
	1/4"	WIDE	530 × 256
		TELE	159 × 88
Back Focal Distance (in air) (mm)		7.70	
Exit Pupil Position (From Image Plane) (mm)		314	
Filter Thread (mm)		—	
Mount		CS	
Mass (g)		50	
Remarks		• With Metal Mount	

[Lens Image]



MP<sup>MEGA PIXELS</sup>  
MEGAPIXEL VARI-FOCAL LENSES