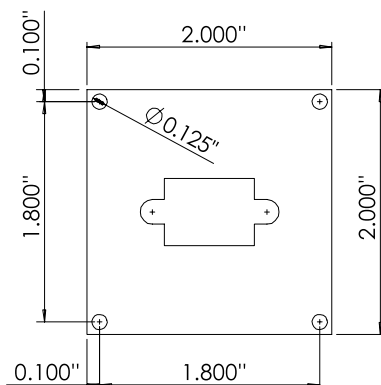


# IEEE-1394 digital camera

- ✓ 6 Pin IEEE-1394 interface
- ✓ Multiple frame rates
- ✓ 640x480 24bit true color images
- ✓ Plug and Play
- ✓ Computer controlled camera parameters
- ✓ Standard WDM Streaming Interface
- ✓ Image acquisition software



### Package includes:

- ✓ Firefly camera
- ✓ 4.5 meter, 6-pin, IEEE-1394 cable
- ✓ IEEE-1394 OHCI PCI Interface card
- ✓ Firefly camera driver
- ✓ Firefly image acquisition software library

### System requirements:

- ✓ Intel Pentium II or better
- ✓ Windows 98SE or Windows 2000

### Camera specifications:

#### Imaging Device

1/3" Sony CCD
Color or B&W
VGA 640x480 format
HAD image sensor with square pixels
Progressive scan
Supported frame rates: 3.75, 7.5, 15 & 30 FPS
Supported formats: YUV 4:1:1, YUV 4:2:2, YUV 4:4:4, and RGB 24-bit
Digital camera specification: Version 1.04
Minimum illumination: TBD
Signal to noise ratio: TBD
Connector: 6-pin IEEE-1394
Power: Through IEEE-1394, 625mW standby, 1.25 W active
Brightness: Auto/Manual (-3dB to 33dB)
Exposure: Auto/Manual (1/25s to 1/15000s)
Saturation: Manual
White Balance: Auto/Manual
Lens focal length: 4mm, 6mm or 8mm
Footprint: 2" X 2"

#### Supported frame rates:

#### Supported formats:

#### Digital camera specification:

#### Minimum illumination:

#### Signal to noise ratio:

#### Connector:

#### Power:

#### Brightness:

#### Exposure:

#### Saturation:

#### White Balance:

#### Lens focal length:

#### Footprint:

Firefly™ is a fully digital board level camera which adopts the IEEE-1394 Digital Video Camera standard. Firefly uses a 1/3" progressive scan CCD in order to stream VGA quality images at 30 FPS without compression. The camera is provided as a complete system with an IEEE-1394 interface card, cable, and image acquisition software.

[www.ptgrey.com](http://www.ptgrey.com)

305-1847 West Broadway, Vancouver, B.C.  
Canada, V6J 1Y6  
T: 604-730-9937 F: 604-732-8231

Point Grey Research is a product engineering and technology company founded in January 1997. The company designs and develops computer vision technologies for commercial applications worldwide. Point Grey Research technology has been successfully used in people tracking, object tracking, modeling and dimensioning, mobile robotics, mining and many other computer vision applications.